

FM250-IT



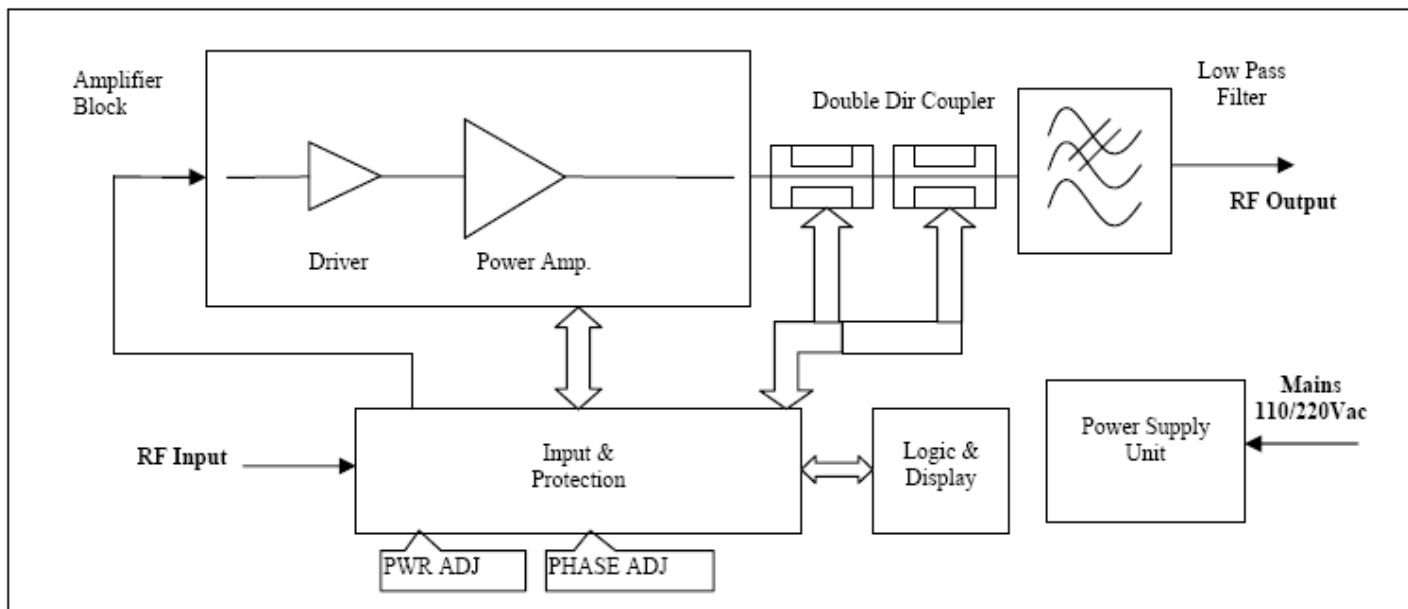
Main transformer provides excellent protection from surges originating from power supply.

Quiet, efficient cooling system greatly extends the semiconductor life.

88-108 MHz. 4W input-350W maximum output

- Rapid protection circuitry mutes the power amplifier and power supply as soon as transmitter sensors encounter a fault condition, temperature overload, or excessive VSWR.
- Option: RS232 - Remote output of amplifier status and measure. It is possible to update the software when necessary.
- Controller: The controller stage processes protection information, alarms, and measurements. The results are routed to front panel LEDs and display.
- Operating temperature: $-5/+50\text{ }^{\circ}\text{C}$ ($+23 / +120\text{ }^{\circ}\text{F}$)
- Storage temperature: $-20/+65\text{ }^{\circ}\text{C}$ ($-4 / +149\text{ }^{\circ}\text{F}$)
- Guarantee performance temperature: $0/+45\text{ }^{\circ}\text{C}$ ($+32 / +113\text{ }^{\circ}\text{F}$)
- Relative humidity (non condensing): $< 90\%$
- Guarantee performance altitude: 2500 m, (8200 ft) @ 40°C
- External control: ENABLE (contacts, close ON - open OFF)
- Cooling: (1) >150 cubic meters/h., external rear cabinet fan
- Frequency range: 87.5 – 108 MHz
- Output power: 250W nominal, (VSWR $< 1.8:1$)
- Maximum RF Power 350W
- RF Power Devices Technology: MOSFET
- RF input & output connector: type "N" female – 50 Ω
- RF output monitor : BNC F. +10dBm nominal
- RF spurious: $< -95\text{dBc}$ @ $\pm 1\text{MHz}$ (Exceeds EBU / CCIR / FCC Spec.)
- Harmonic: $< -80\text{dBc}$
- RF power ADJ: 300W to 150W
- Phase adjust: $\pm 75\text{deg}$ - 5deg step
- Asynchronous AM SNR: $< -56\text{dB}$ (Ref $> 100\%$ AM Mod@400Hz, BW=30Hz to 20kHz, FM Mod. OFF)
- Power supply: 220V Single Phase AC, 48 to 62 Hz.
- Power factor:(2) > 0.90
- Power consumption: $< 580\text{ VA}$ Typical
- Dimensions: 8.0 " X 7.0 "X 16".
- 10.7kg (15kg with transformer) (35 lbs)





OUTPUT POWER vs INPUT POWER		
Driver Voltage Supply = 28 V F0 = 98 MHz		
POWER INPUT (W)	POWER OUTPUT (W)	
	Min	Max
0.5	80	330
1	90	330
1.5	110	330
2	125	335
2.5	160	330
3	180	335
3.5	190	340
4	200	340