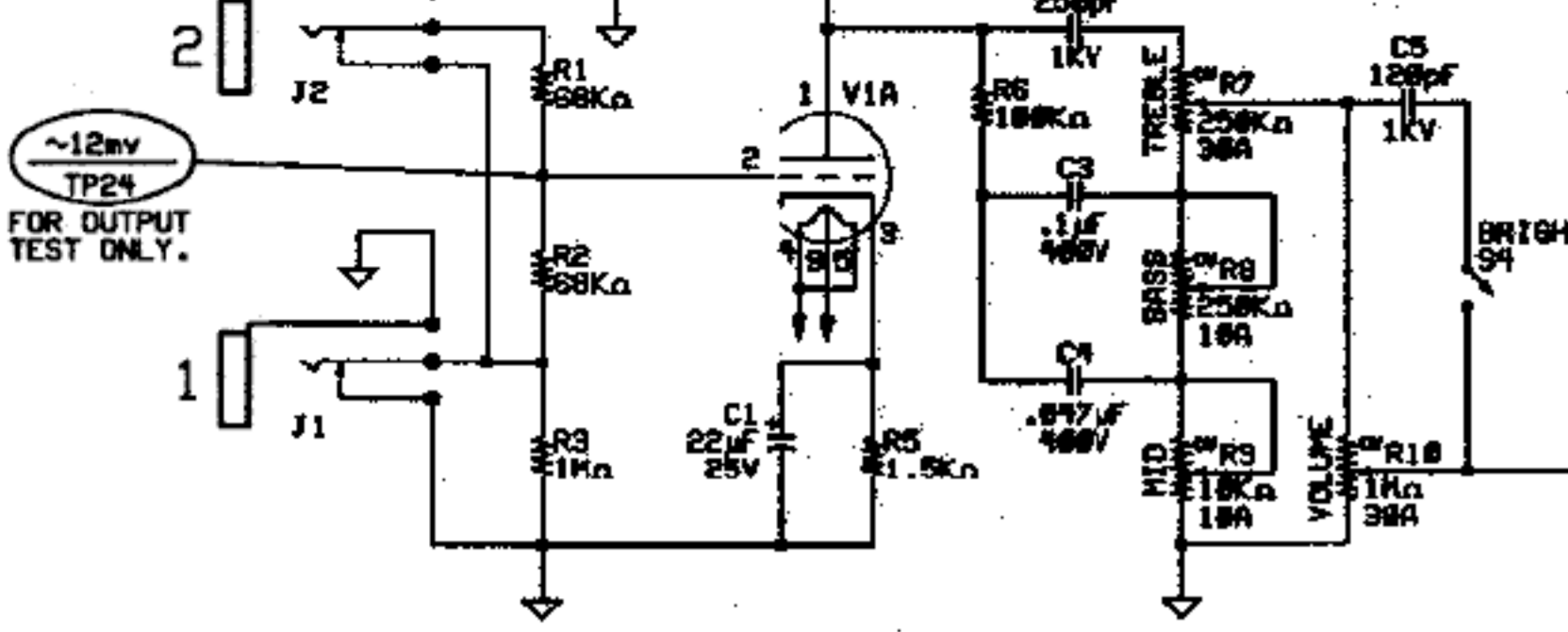


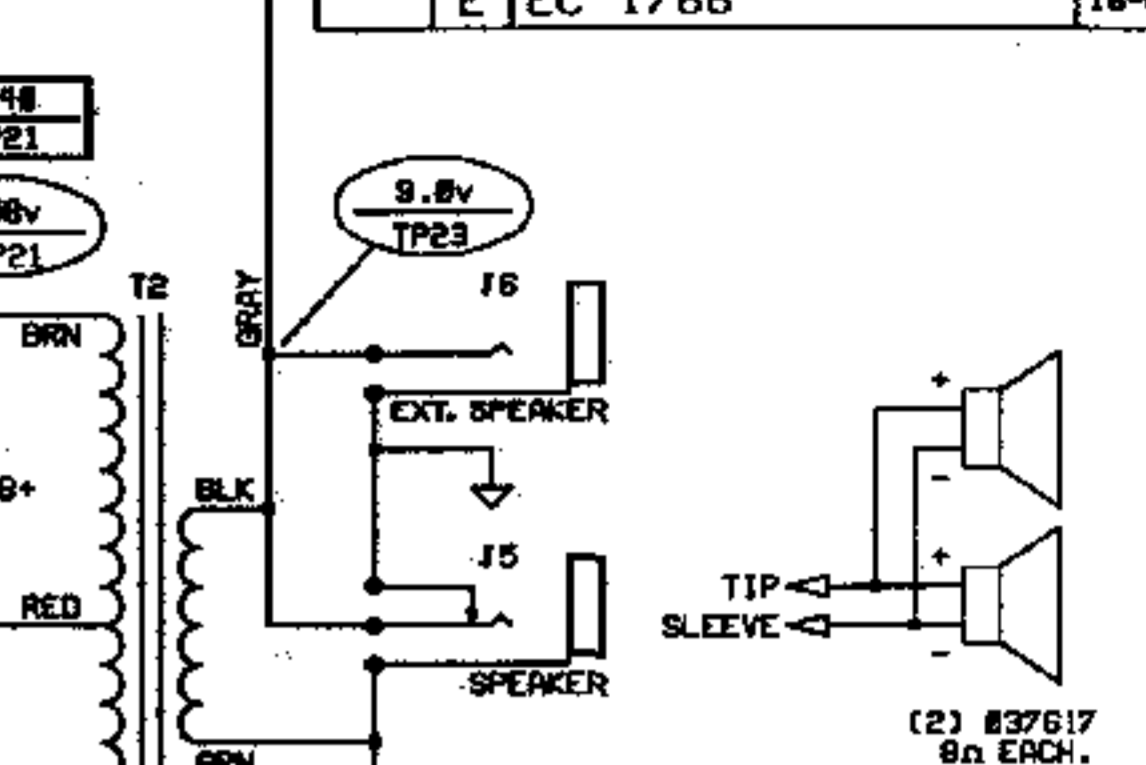
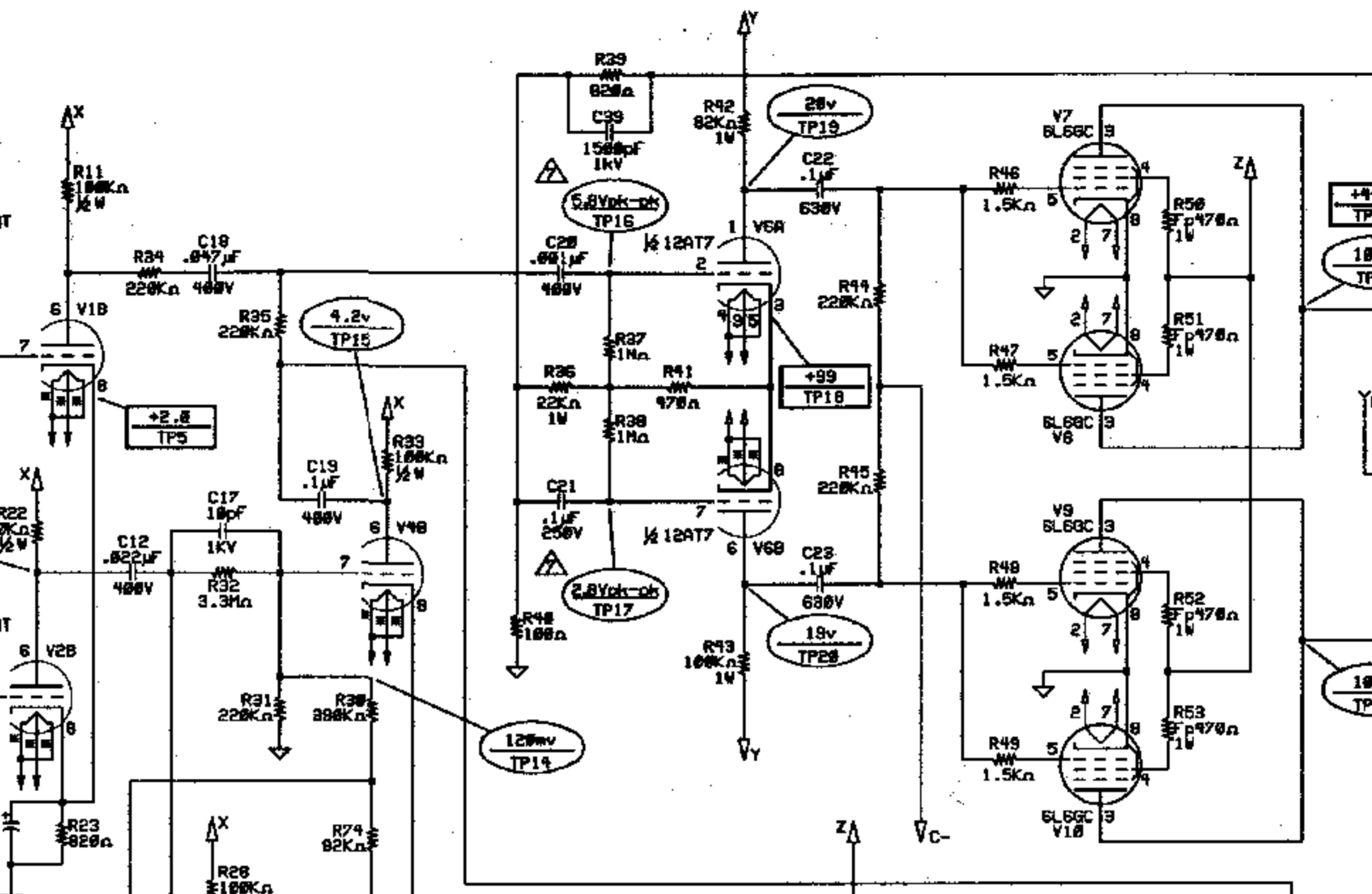
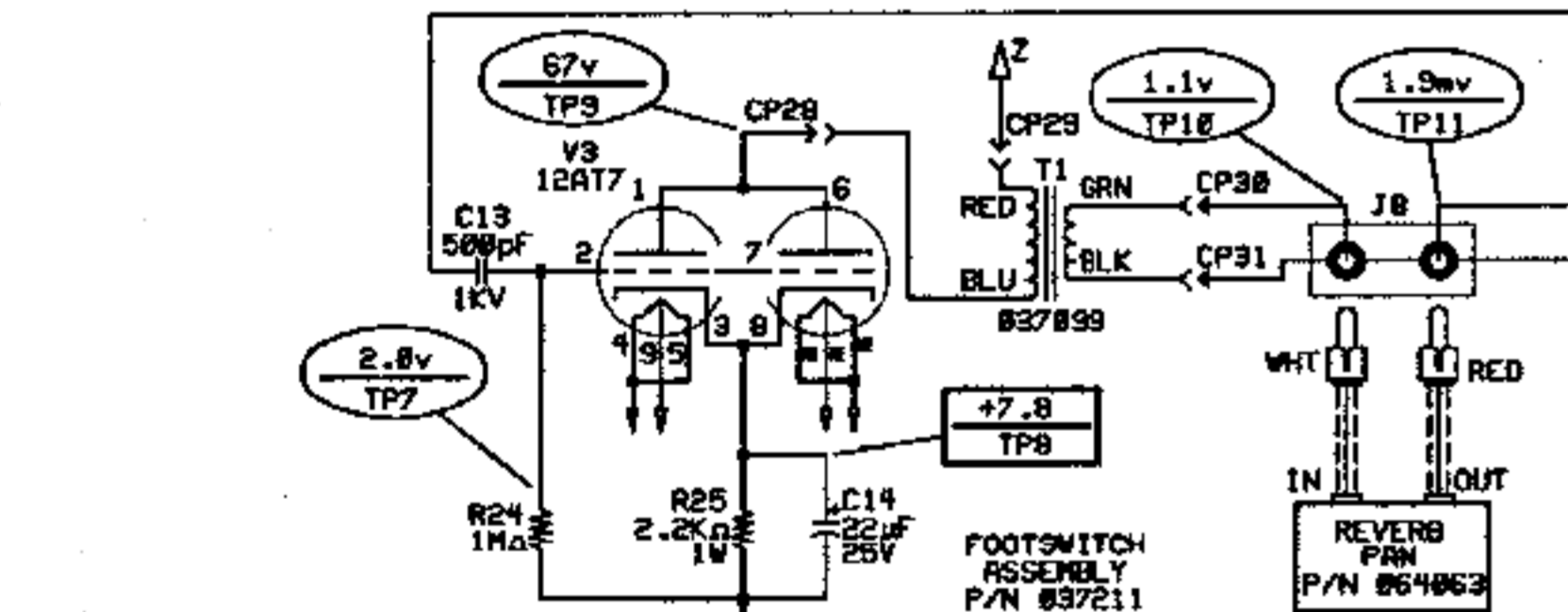
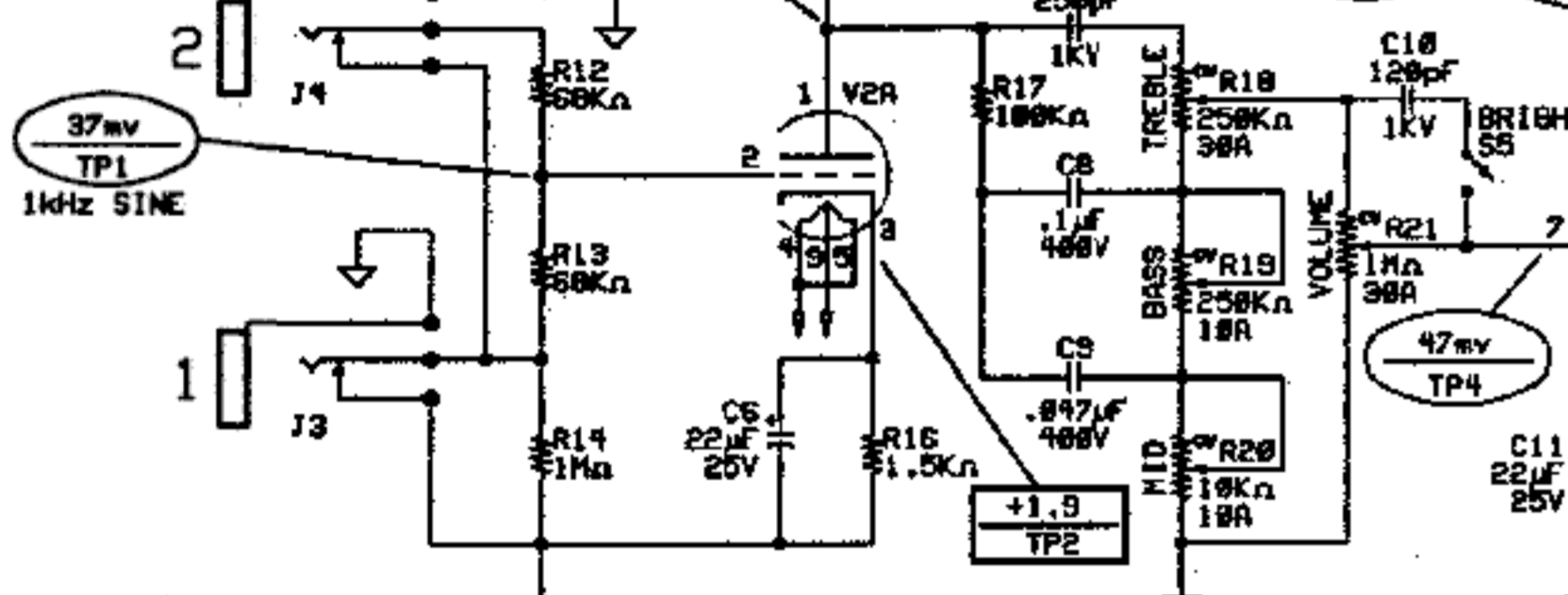
REVISIONS

REV.	DESCRIPTION	DATE	APPROVED
A	RELEASED PR186	88-MAR-91	
B	ECO L02271	88-JUL-91	
C	EC 784	11-SEP-91	
D	EC 1388 / ECO L02897	28-OCT-94	MDW
E	EC 1786	16-OCT-96	MDW

NORMAL



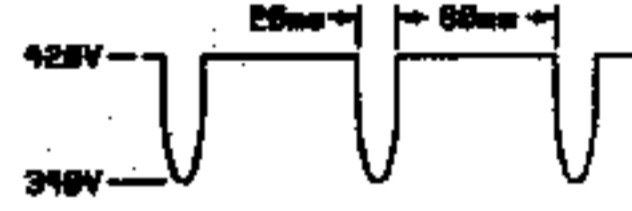
VIBRATO



OUTPUT TEST:  
65 WATTS MINIMUM RMS INTO  
A 4Ω RESISTIVE LOAD AT 5% THD  
WITH 1kHz INPUT INTO THE NORMAL  
CHANNEL AT TP24. ALL NORMAL CHANNEL  
CONTROLS FULL CW, ALL VIBRATO  
CHANNEL CONTROLS FULL CCW.  
REVERB AND VIBRATO OFF.

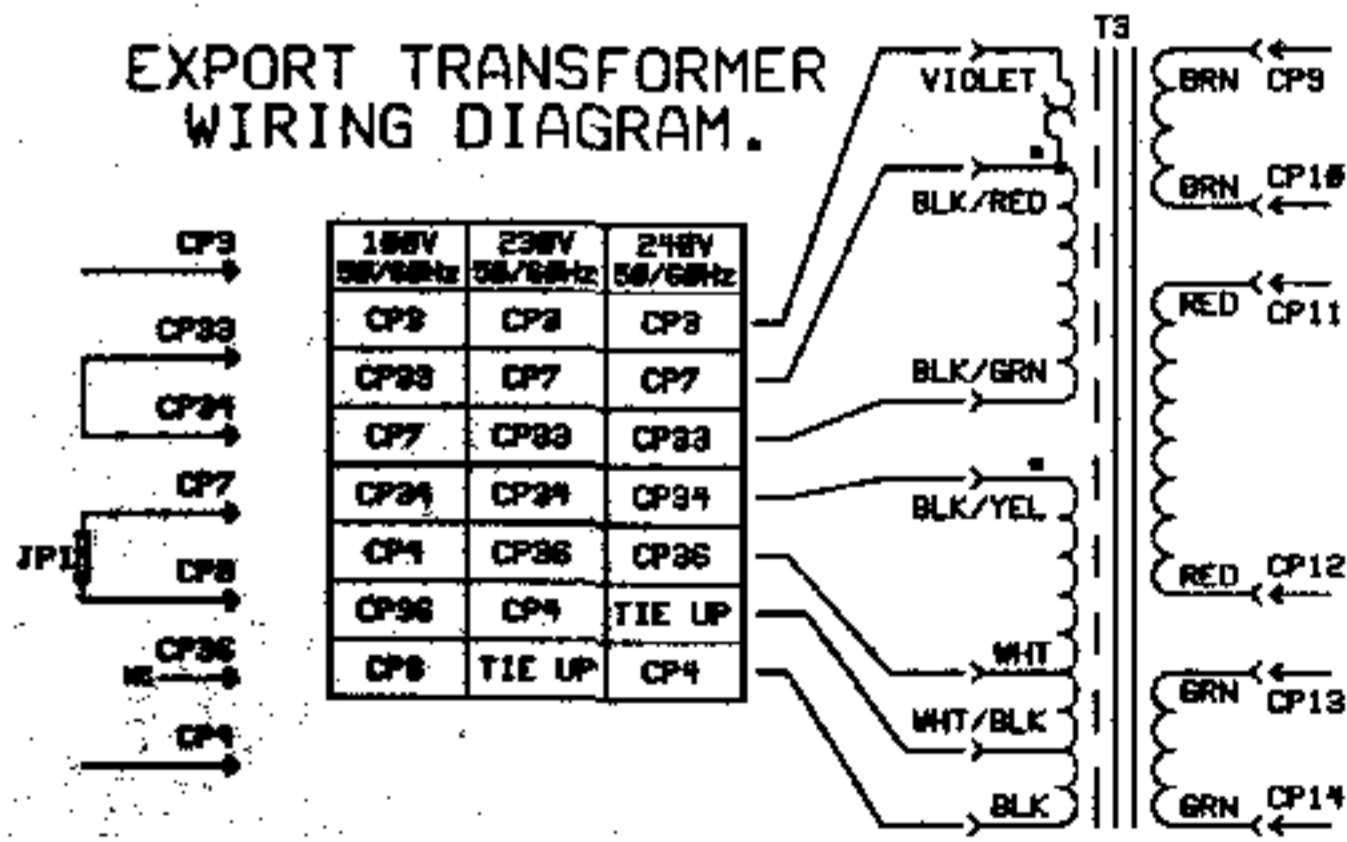
VIBRATO TEST:  
ALL VOLTAGES MEASURED WITH  
SPEED CONTROL AT MAX. (CW),  
AND NO SIGNAL PRESENT.

APPROXIMATE WAVEFORM AT TP35:

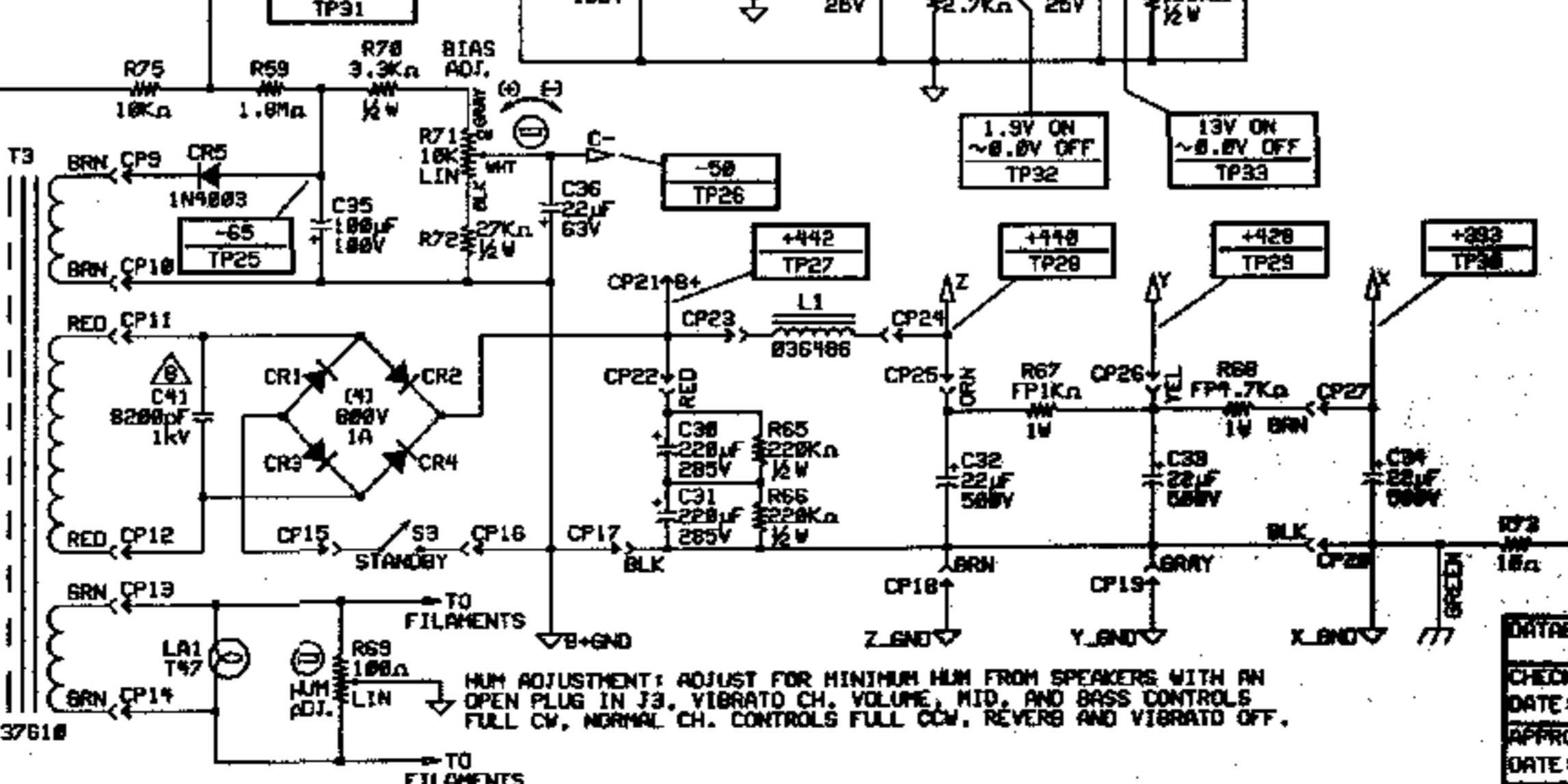


ALTERNATE EXPORT  
POWER TRANSFORMER  
P/N 845181

EXPORT TRANSFORMER  
WIRING DIAGRAM.



- NOTES:
- V1,2,4,5 ARE 12AX7A.
  - RESISTORS 1/4W CARBON FILM UNLESS OTHERWISE SPECIFIED.
  - 6-DIGIT NUMBERS ARE FENDER PART NUMBERS. FUSE 4A SLO-BLO IN 100V AND 120V MODELS, T2A IN 250V AND 240V MODELS. S2 INSTALLED IN 120V UNITS ONLY.
  - ALL VOLTAGES MEASURED WITH RESPECT TO GROUND USING A DVM OF AT LEAST 1MΩ AC INPUT IMPEDANCE AND 10MΩ DC IMPEDANCE. VOLTAGES MAY VARY ±20%. TEST CONDITIONS: LINE VOLTAGE AT 120VAC 60Hz. BRIGHT SWITCHES, REVERB, AND VIBRATO OFF. ALL NORMAL CHANNEL CONTROLS AT FULL CCW. ALL VIBRATO CHANNEL CONTROLS AT 50% ROTATION. DC VOLTAGES MEASURED WITH NO SIGNAL PRESENT.
  - AC VOLTAGES AT TP16,17 MEASURED WITH AN OSCILLOSCOPE USING A X10 PROBE.
  - 8200pF CAP INSTALLED IN 250V UNITS ONLY.
  - INSTANCES NOT USED: C29 CP5 CP6 CP32 CP36



MUSICAL INSTRUMENTS  
2621 Research Drive  
Corona, CA 91728 USA

TITLE: SCHEMATIC  
65 TWIN REVERB AMPLIFIER

DATE: 85-MAY-91

PROPRIETARY

SCALE: NONE

PLOTTED: 85-MAY-91

SHEET 1 OF 1