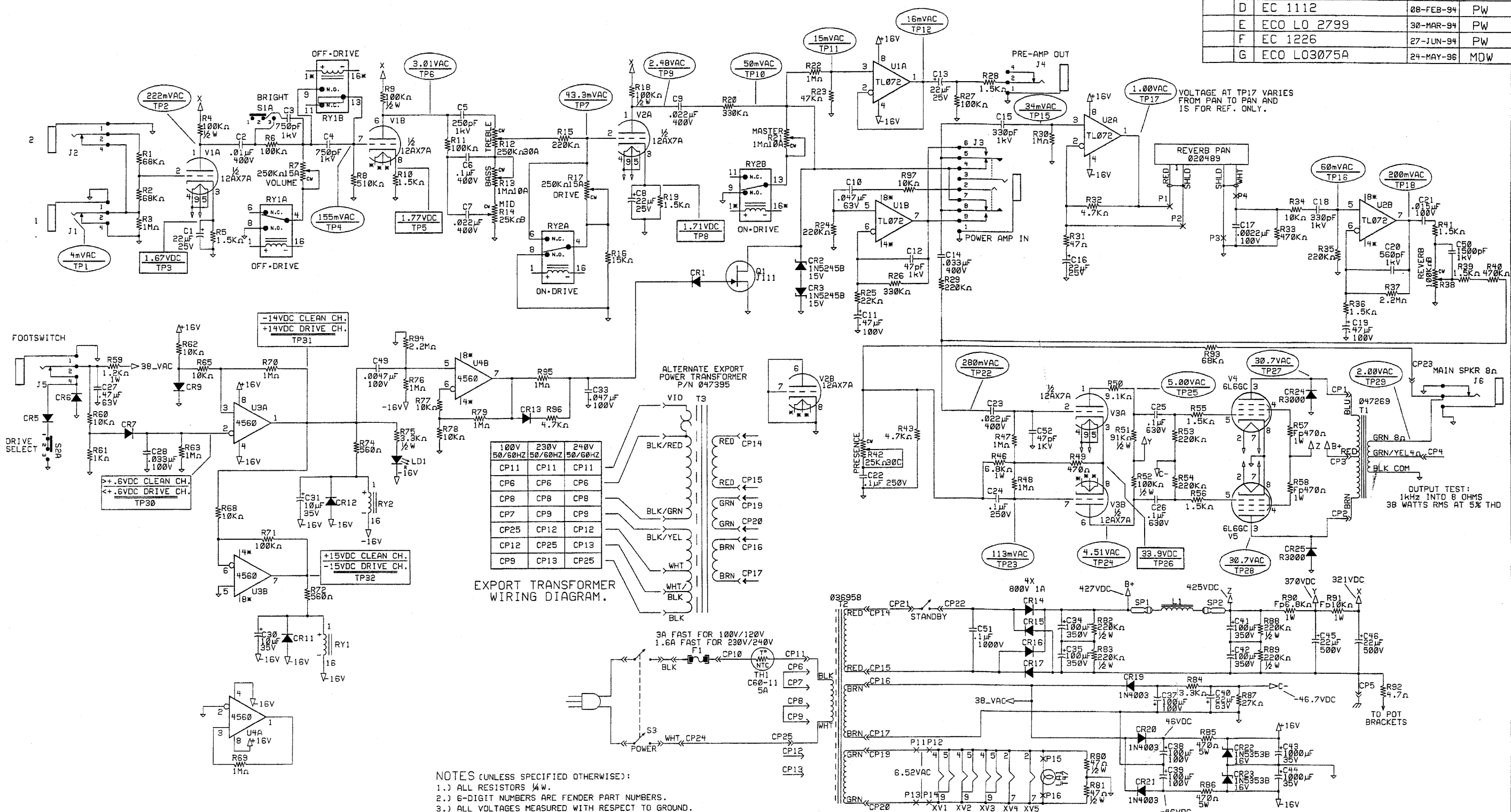


REVISIONS				
ZONE	REV.	DESCRIPTION	DATE	APPROVED
	A	RELEASED PR #246	17-SEP-93	PW
	B	EC 1067	03-NOV-93	PW
	C	EC 1084	09-DEC-94	PW
	D	EC 1112	08-FEB-94	PW
	E	ECO LO 2799	30-MAR-94	PW
	F	EC 1226	27-JUN-94	PW
	G	ECO L03075A	24-MAY-96	MDW



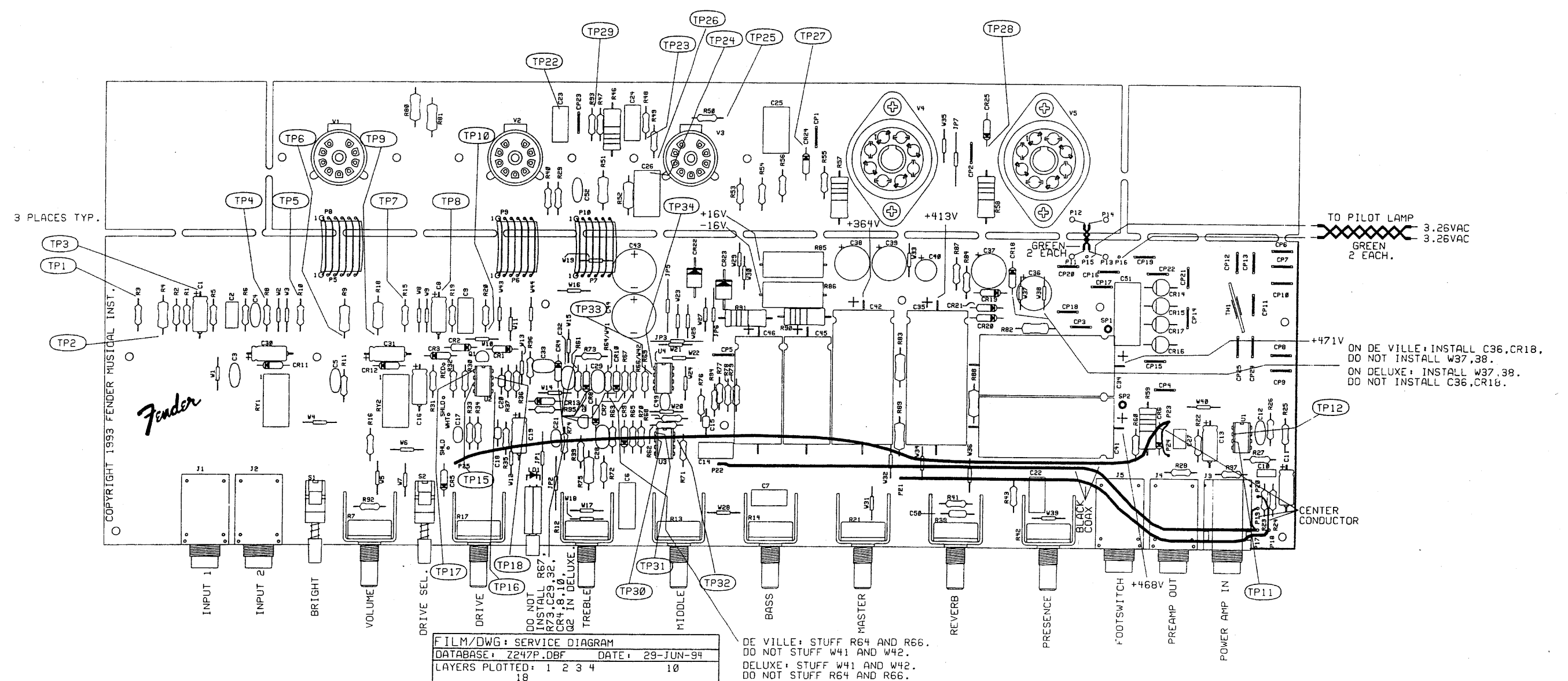
EXPORT TRANSFORMER WIRING DIAGRAM.

100V	230V	240V
50/60HZ	50/60HZ	50/60HZ
CP11	CP11	CP11
CP6	CP6	CP6
CP8	CP8	CP8
CP7	CP9	CP9
CP25	CP12	CP12
CP12	CP25	CP13
CP9	CP13	CP25

- NOTES (UNLESS SPECIFIED OTHERWISE):
- ALL RESISTORS 1/4 W.
 - 6-DIGIT NUMBERS ARE FENDER PART NUMBERS.
 - ALL VOLTAGES MEASURED WITH RESPECT TO GROUND. USING A DVM OF AT LEAST 1MΩ AC INPUT IMPEDANCE AND 10MΩ DC INPUT IMPEDANCE. TEST CONDITIONS: LINE VOLTAGE 120VAC 60HZ. FOOTSWITCH CONNECTED, DRIVE CH. SEL., BRIGHT SW. OFF. ALL CONTROLS 50% ROT. EXCEPT REVERB 0%. SUPPLY AND BIAS VOLTAGES MAY VARY +5%, -10%. SIGNAL VOLTAGES MAY VARY ±20%.
 - X WITH INSTANCE NAME = FLYWIRE CONNECTION.
 - LAST INSTANCES: RY2, LD1, U4, Q1, TH1, R97, C52, CR25, T2, S3, CP25, V5, LA1, P16, J7, F1.
 - INSTANCES NOT USED: CR4, 8, 10, 18, C29, 32, 36, 47, 48, J7, R44, 45, 64, 66, 67, 73, TP13, 14, 19, 20, 21, 33, 34.
 - ALL DIODES 1N4448.

DATABASE FILE: Z2485.DBF CHECKED BY: <i>MDW</i> DATE: <i>5/24/96</i> APPROVED: <i>MDW</i> DATE: <i>5/24/96</i>	PROPRIETARY THIS DRAWING DOCUMENT CONTAINS INFORMATION WHICH IS PROPRIETARY TO AND IS THE PROPERTY OF THE FENDER MUSICAL INSTRUMENTS CO. AND MAY NOT BE USED, REPRODUCED OR DISCLOSED IN ANY MANNER WITHOUT THE EXPRESSED WRITTEN CONSENT FROM: FENDER MUSICAL INSTRUMENTS CO. 1130 COLUMBIA ST. BREW, CALIFORNIA 92621 ROCK ON.	FENDER MUSICAL INSTRUMENTS 1130 Columbia Street Brea, CA 92621 TITLE: BLUES DELUXE SCHEMATIC DIAGRAM SIZE: D DRAWN BY: P. WIERS DRAWING NUMBER: 047019 REV. G ENGR: P. WIERS NEXT HIGHER ASSEMBLY: BLUES DELUXE CREATED: 23-SEP-93 PLOTTED: 24-MAY-96 SHEET 1 OF 1
---	---	--

REVISIONS				
ZONE	REV.	DESCRIPTION	DATE	APPROVED
	A	RELEASED PR247	17-SEP-93	PW
	B	ECO L02799	09-MAR-94	PW
	C	EC 1226	27-JUN-94	



NOTE:
 1) TEST POINTS TP33,34 NOT APPLICABLE ON DELUXE.
 2) PCB SHOWN AS FABRICATED.

FILM/DWG: SERVICE DIAGRAM
 DATABASE: Z247P.DBF DATE: 29-JUN-94
 LAYERS PLOTTED: 1 2 3 4 10 18

DE VILLE: STUFF R64 AND R66.
 DO NOT STUFF W41 AND W42.
 DELUXE: STUFF W41 AND W42.
 DO NOT STUFF R64 AND R66.

DATABASE FILE: Z247P.DBF	PROPRIETARY	<p>FENDER MUSICAL INSTRUMENTS 1130 COLUMBIA STREET BREO, CALIFORNIA 92621</p>
CHECKED BY: [Signature]	THIS DRAWING DOCUMENT CONTAINS INFORMATION WHICH IS PROPRIETARY TO AND IS THE PROPERTY OF THE FENDER MUSICAL INSTRUMENTS CO. AND MAY NOT BE USED, REPRODUCED OR DISCLOSED IN ANY MANNER WITHOUT THE EXPRESSED WRITTEN CONSENT FROM:	
DATE: 6/23/94		TITLE: SERVICE DIAGRAM BLUES DE VILLE/DELUXE
APPROVED: [Signature]		SIZE: D
DATE: 6/30/94		DRAWN: WIERS
TOLERANCES: UNLESS OTHERWISE SPECIFIED		ENG: WIERS
X.X .050"		REV: C
X.XX .018"		CREATED: 03-NOV-93
X.XXX .005"		PLOTTED: 29-JUN-94
ANGLES .500°		SHEET 1 OF 1